

## Greenway™ Trellis

CABLE·TRELLIS®

A standard *Greenway™* trellis kit includes the following items (except where noted).

- Ⓐ 1 qty, *top tube* (1-1/2"OD x 43" long x 8"high)
- Ⓑ 1 qty, *left side tube* (1-1/2"OD x 76" long)
- Ⓒ 1 qty, *right side tube* (1-1/2"OD x 76" long)
- Ⓓ 1 qty, *bottom tube* (1-1/2"OD x 40" long)
- Ⓔ 2 qty, *splice sleeves* (1-1/4"OD x 4")
- Ⓕ 2 qty, *splice sleeves* (1-1/4"OD x 1")
- Ⓖ 6 qty, *screw* (#8 x 3/4")
- Ⓗ 4 qty, *screw* (#10 x 1-1/2")
- Ⓘ 4 qty, *cables with threaded terminal* fitting attached to one end and *button head* fitting attached to other end (1/8" diameter x 60"long)
- Ⓝ 4 qty, *nylon flat washers* (1/4"ID x 7/16"OD)
- Ⓚ 4 qty, *nylon flat washers* (1/4"ID x 3/4"OD)
- Ⓛ 4 qty, *Snug-Grip™ washer nuts* (1/4-20RH)
- Ⓜ 1 qty, 3/16" hex key wrench
- Ⓝ 20 qty, *black plastic caps* for threaded terminal cable fitting and cross-clamps (3/4"OD)
- Ⓞ 4 qty, *rods* (1/8"diam. x 38" long)
- Ⓟ 16 qty, *cross-clamps with set screws*

**Tools Needed:**

Safety glasses	Pliers or Vise-Grips
Pencil	Felt Pen
Measuring tape	3/16" hex key wrench (included in kit)
Hammer	Shovel or Post hole digger
Electric Drill	Level
#2 square drive bit (included in kit)	Concrete or compacting gravel (3/8" to dust)
7/16 socket or box wrench	

**Building The Frame:**

- Find a smooth, flat area to layout all of the components and build your frame. Be sure to protect the tubes from scratches during frame construction by laying down blankets, rags or packing wrappers.
- Insert a *splice sleeve* Ⓔ 2 inches into the top end of both the *left side tube* Ⓑ and the *right side tube* Ⓒ. If the *splice sleeve* is too tight to insert by hand, gently tap with a hammer. The top end of the *side tubes* can be identified by the small pilot hole. Be sure that the slot in the *splice sleeve* is not positioned over the pilot hole.
- Lock the *splice sleeves* Ⓔ in position by inserting a #8 *screw* Ⓖ through the pilot hole in the *side tubes* Ⓑ & Ⓒ and into the *splice sleeve*. Use an electric drill and #2 square drive bit (included in kit) to attach the *screws*.
- Attach a *splice sleeve* Ⓕ to the side of each *side tube* Ⓑ & Ⓒ using two #10 *screws* Ⓗ. The *screws* will run through the chase holes in the *splice sleeves* and into the pilot holes in the side tubes. Use an electric drill and #2 square drive bit to attach the *screws*.
- On your flat surface, lay the *side tubes* Ⓑ & Ⓒ parallel to one another and about 4 feet apart, with the *splice sleeves* Ⓕ facing one another and the pilot holes facing upward.

6. Carefully slide the ends of the *bottom tube* ④ over each *splice sleeve* ⑥. Be sure that the small pilot holes in the *bottom tube* are not lined-up over the slot in the *splice sleeves*.
7. Secure the *bottom tube* ④ in position with two #8 screws ⑦ inserted through the pilot holes and into the *splice sleeve* ⑥.
8. Carefully slide the ends of the *top tube* ① over each of the *splice sleeves* ⑤ in the top of the side tubes ② & ③.
9. Secure the *top tube* ① in position with two #8 screws ⑦ inserted through the pilot holes and into the *splice sleeves* ⑤. Your frame is now ready for cables.

### Stringing The Cables:

10. For each *cable* ①, lace the *threaded terminal* fitting through a 7/16"OD nylon flat washer ⑩, then down through the hole in the *top tube* ① and continue on down through the hole in the *bottom tube* ④. The tip of the threads on the *threaded terminal* will just barely protrude beyond the bottom of the *bottom tube*.
11. For each cable ①, slide a 3/4"OD nylon flat washer ⑫ over the exposed threads on the *threaded terminal* fitting and then spin on a *Snug-Grip™ washer nut* ⑬ until you can no longer turn it by hand.
12. Tighten the *cables* ① a bit more by turning the *Snug-Grip™ washer nut* ⑬ with a 7/16" wrench.  
IMPORTANT NOTE: When initially attaching the Snug-Grip™ washer nuts to the threaded terminals, you will encounter resistance as the special Snug Grip™ threads engage; hold the hexagonal shaft of the threaded terminal with a Vise-Grip® pliers to keep it from spinning. Tighten with hand tools to avoid heating the Snug-Grip™ washer nut and causing it to seize. Do not over-tension the cables; they should simply hang straight and flex easily.
13. Snap *black plastic caps* ⑭ over the raised lip of the *Snug-Grip™ washer nut* ⑬ to cover.

### Hanging The Rods:

14. With a measuring tape and felt pen, mark each *cable* ① at the points where you'd like to attach the *rods* ⑯. Equal vertical spacing between *rods* is recommended.
15. Loosely attach each *rod* ⑯ to each *cable* ① at the marked locations using *cross-clamps* ⑰ and a 3/16" hex key wrench (included in kit); be sure that all *rods* are also centered horizontally. Note: the *cable* should always rest in the deep slot on the cross-clamp and the rod in the shallow slot; this will allow the *cross-clamp set screw* to press against the *rod* instead of the *cable*. Also, the *cross-clamps* may be attached with the *set screw* facing either direction (front or back), whichever you prefer.
16. Make any final adjustment to the *rod* ⑯ positions, and then securely tighten all *cross-clamps* ⑰.
17. Cover the *cross-clamp* ⑰ set screws with *black plastic caps* ⑭ or *optional stainless steel caps* (sold separately).

### Erecting The Trellis Panel (legs cast in gravel or concrete):

Note: if you are mounting your trellis panel in gravel or concrete please continue with step 18. If you are surface mounting using the optional Base Plates (kits sold separately) skip to step #23:

18. Dig two 6-inch minimum diameter holes 41-1/2" on center to a depth of 2-feet.
19. Fill each hole to within 1-foot of the top with either compacting gravel (3/8" to dust) or concrete. If using gravel, compact it as much as possible by tamping with the end of hefty piece of wood such as a long 2"x 4" or 4"x 4". If using concrete, tamp it lightly to settle and even out the load.
20. Set the legs of the trellis panel into the holes so that a minimum of 1-foot of each leg is below grade.
21. Level and plumb the trellis panel and then fill the holes to the brim with your gravel or concrete. Compact the gravel or tamp the concrete as described in step 19. Be sure to frequently check that your trellis is level and plumb.
22. Step back and admire your work.

### Erecting The Trellis Panel (using optional Base Plates):

Note: You'll need to order one Base Plate Kit and 6 attachment screws or bolts/inserts to surface mount your trellis (kits and attachment screws/bolts sold separately). Each kit contains the following items (except attachment screws or bolts/anchors):

- Ⓚ 2 qty, *base plates* (5" diameter with 3 bolt holes)
- Ⓡ 6 qty, *large retaining washers* (7/16" ID x 1-3/32" OD)
- Ⓢ 6 qty, *large black plastic caps* (1-5/32" OD)
- ⓐ 2 qty, *screw* (#8 x 3/4")
- Ⓣ 6 qty, attachment *screws or bolts & inserts* (sold separately)

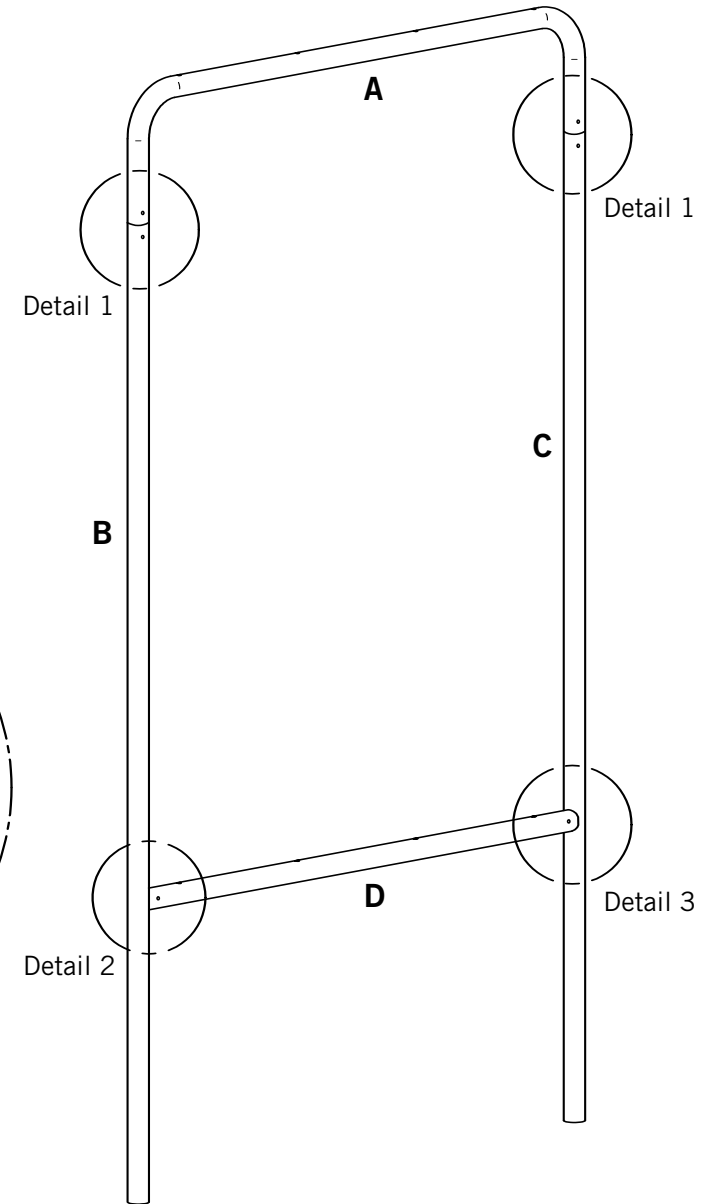
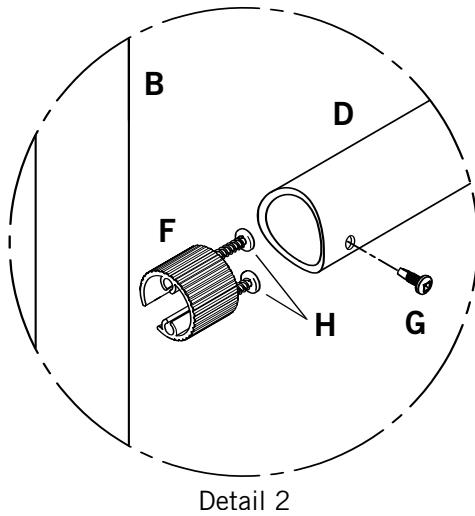
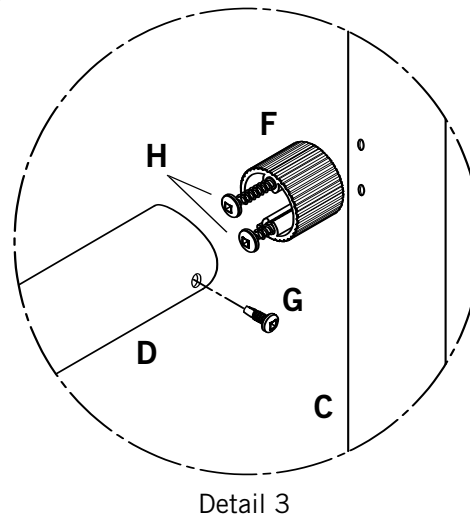
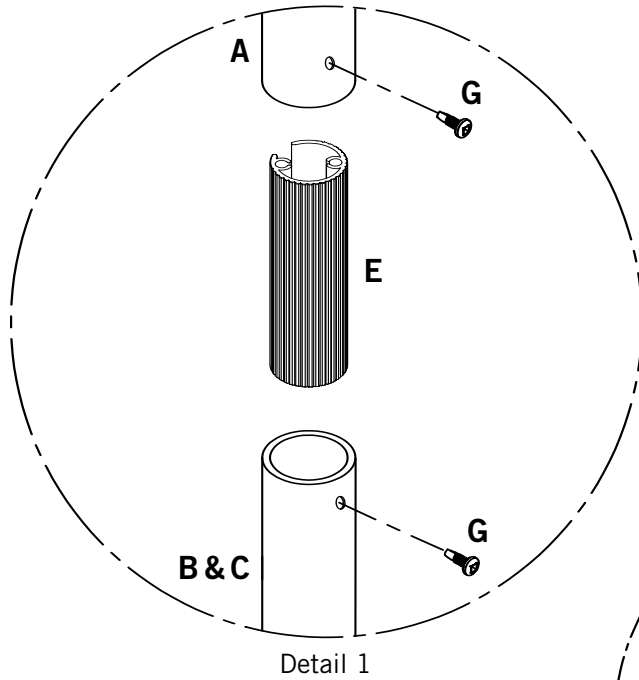
### Additional tools needed:

- hack saw or reciprocating saw with fine tooth metal cutting blade
- small metal file
- 9/64" drill bit
- 9/16" socket wrench or box wrench
- 1/4" drill bit (for attachment screws - wood only)
- or
- 1/2" drill bit (for drop-in anchors)

23. Carefully measure and trim an equal amount of tubing off the end of each trellis *side tube legs* ⓑ & ⓒ. We recommend trimming off between 12 and 20 inches depending on your plant clearance needs.
24. Use a small file to clean up any burrs created by the saws cuts.
25. Insert a *base plate* Ⓚ into the bottom of each of the trellis *side tube legs* ⓑ & ⓒ.
26. Spin the *base plates* Ⓚ so that the bolt holes will be easily accessible when mounting the trellis.
27. On each *side tube leg* ⓑ & ⓒ measure up 1 inch from the splice joint line and drill a 9/64 inch pilot hole through the leg and into the splice sleeve portion of the *base plate* Ⓚ.
28. Secure the *base plate* Ⓚ with a #8 *screw* ⓐ into the pilot hole.
29. Stand your trellis in its final mounting position and mark the locations of the screw/bolt holes with a pencil. Be sure trellis is level and plumb; shim if necessary.
30. Drill holes in the floor or deck for the attachment *screws or bolts* Ⓣ (*screw, bolts & inserts* are sold separately). Follow manufacturer's recommended drill hole sizes and depths.
31. Slip a *retaining washer* Ⓡ on to each *screw or bolt* Ⓣ and then pass the *screw or bolt* through the holes in the *base plates* Ⓚ and into floor. Use a 9/16" wrench to securely tighten each *screw or bolt*.
32. Snap a *large black plastic cap* Ⓢ over the lip of the *large retaining washers* Ⓡ to cover the exposed heads of the *screws or bolts* Ⓣ.
33. Step back and admire your work.

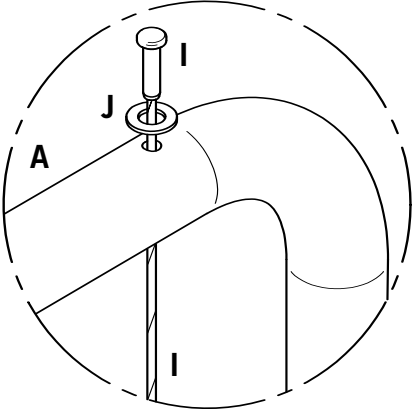
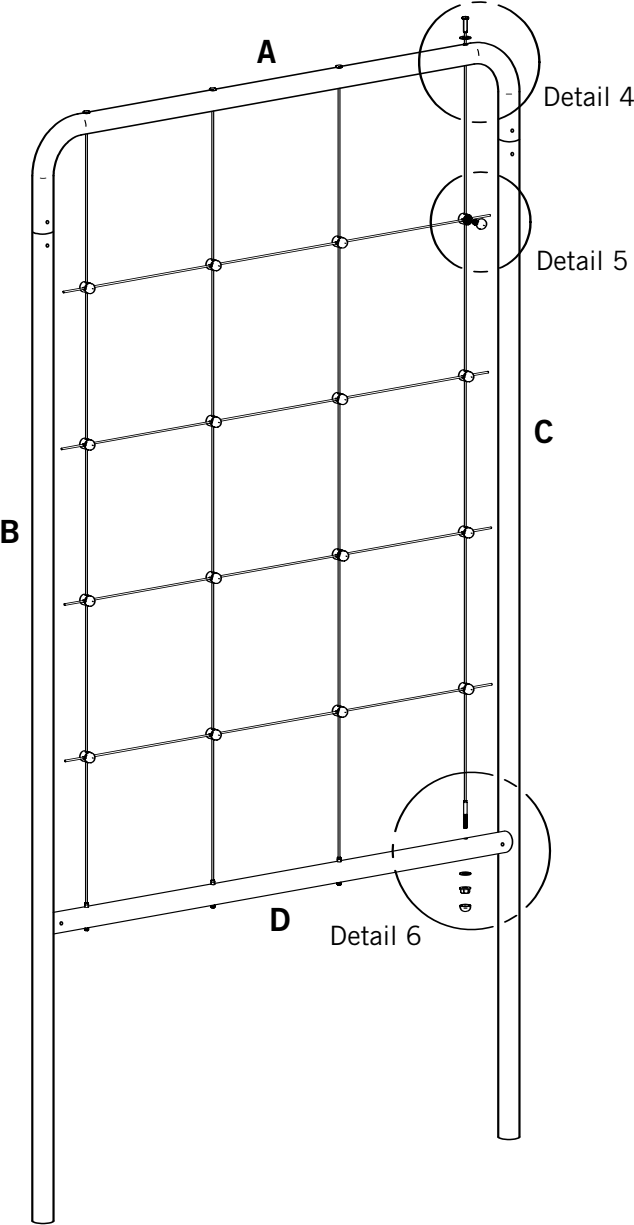
# Greenway™ Trellis

## Installation Details: Building the Frame

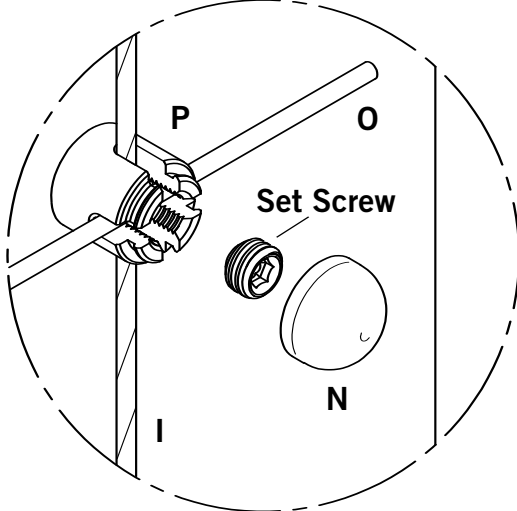


# Greenway™ Trellis

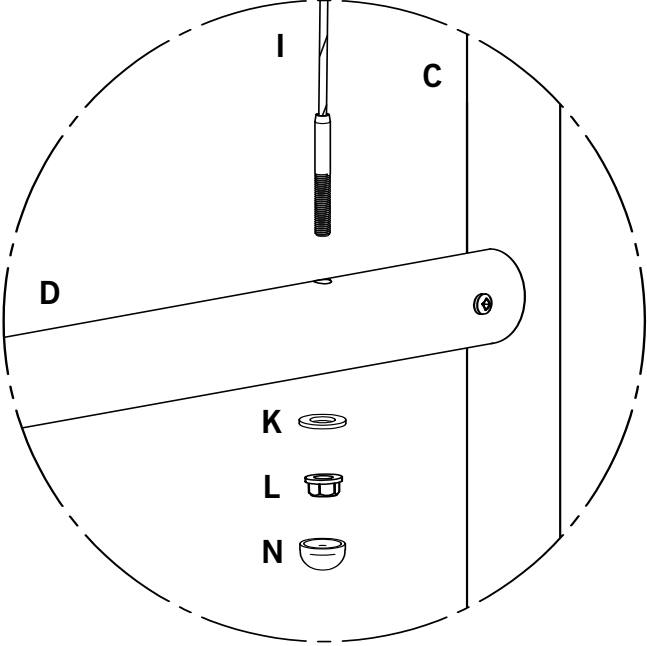
## Installation Details: Attaching Cables & Rods



Detail 4



Detail 5



Detail 6

# Greenway™ Trellis

Installation Details: Optional Base Plates

