

Somerset® Trellis



A standard *Somerset™* trellis kit includes the following items (except where noted).

- Ⓐ 1 qty, *top angle bracket* (40" long with 3/8" diameter holes)
- Ⓑ 1 qty, *bottom angle bracket* (40" long with 5/16" diam. holes)
- Ⓒ 4 qty, *large retaining washers* (7/16" ID x 1-3/32" OD)
- Ⓓ 4 qty, *large black plastic caps* (1-5/32" OD)
- Ⓔ 4 qty, *cables with threaded terminal* fitting pre-attached to one end (1/8" diameter x length depends on trellis height - see chart below)
- Ⓕ 4 qty, *QuickConnect-SS cable fittings*
- Ⓖ 4 qty, *nylon flat washers* (13/32" ID x 3/4" OD)
- Ⓗ 4 qty, *nylon flat washers* (1/4" ID x 3/4" OD)
- Ⓘ 4 qty, *Snug-Grip™ washer nuts* (1/4"-20RH)
- Ⓝ 1 qty, 3/16" hex key wrench
- Ⓚ 8 qty, *black plastic caps* (3/4" OD) for cable fittings plus additional *caps* as need for cross-clamps (see chart below)
- Ⓛ Qty varies, *rods* (1/8" diameter x 38-1/4" long) (see chart below)
- Ⓜ Qty varies, *cross-clamps with set screws* (see chart below)
- Ⓝ 4 qty, attachment *screws or bolts/inserts* (sold separately)

The length of the cables and the quantity of rods, cross-clamps and plastic caps depends on the trellis height that you ordered (see chart below):

Trellis Height	Ⓛ Rod Qty	Ⓜ Cross-Clamp Qty	Ⓚ Cap Qty	Ⓔ Approx. Cable Length
4'	3	12	12	5'
5'	4	16	16	6'
6'	5	20	20	7'
7'	6	24	24	8'
8'	7	28	28	9'
9'	8	32	32	10'
10'	9	36	36	11'

Tools Needed:

- | | |
|--|--|
| Safety glasses | Silicone caulking |
| Pencil | Caulk gun |
| Measuring tape | 9/16" socket or wrench |
| Level | 7/16 socket or wrench |
| Plumb-bob | Pliers or Vise-Grips |
| Electric Drill | Cable cutters |
| 1/4" drill bit (for attachment screws-wood only) | Felt pen |
| or 1/2" drill bit (for drop-in anchor) | 3/16" hex key wrench (included in kit) |

Mounting The Brackets:

- Determine the mounting locations for both *angle brackets* Ⓐ & Ⓑ on the wall surface, and mark the drill holes with a pencil. Position *angle bracket* Ⓐ on top and *angle bracket* Ⓑ on bottom. Be sure that the *angle brackets* are level and vertically in line with one another and that you are attaching to wood studs or solid wall material. Note: since the *cables* Ⓔ are trimmed after being installed, they are always fabricated longer than your trellis height; therefore, you do have considerable flexibility on the spacing between your *angle brackets* (example: with a 5 foot trellis system, you could set your *angle brackets* as much as 5-1/2 feet apart if desired).

2. Drill holes in the wall for the attachment *screws* or *bolts* (N) (*screw, bolts & inserts* are sold separately). Follow manufacturer's recommended drill hole sizes and depths.
3. Seal the wall penetration holes by squeezing a ring of premium exterior grade silicone caulking around the drill holes before attaching the *angle brackets* (A) & (B). Be sure to check that caulking is compatible with your wall surface material.
4. Slip a *retaining washer* (C) on to each *screw* or *bolt* (N) and then pass the *screw* or *bolt* through the holes in the *angle brackets* (A) & (B) and into the wall. Use a 9/16" wrench to securely tighten each *screw* or *bolt*.
5. Snap a *large black plastic cap* (D) over the lip of the *large retaining washers* (C) to cover the exposed heads of the *screws* or *bolts* (N).

Stringing The Cables:

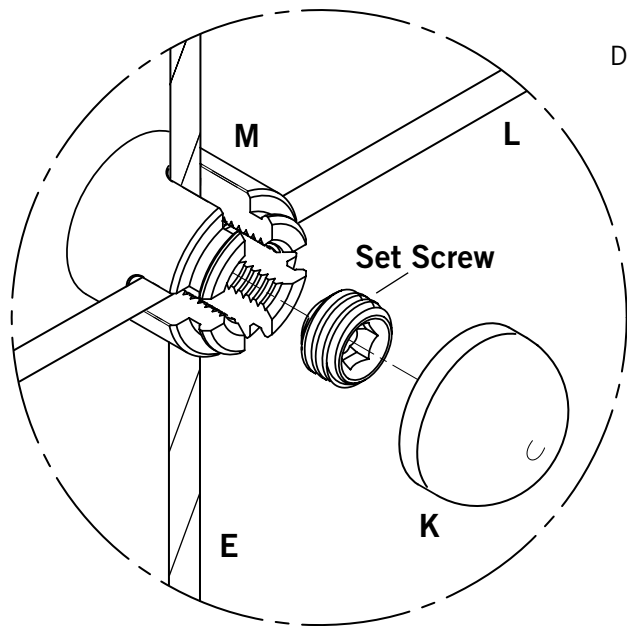
6. Lace the *threaded terminal fittings* on each *cable* (E) through the holes in the *bottom angle bracket* (B). Slide on a *nylon flat washer* (H), then spin on a *Snug-Grip™ washer nut* (I), until you can no longer turn it by hand.
7. Lace the other end of the *cable* (E) through the holes in the *top angle bracket* (A). Slide on a *nylon flat washer* (G) and *QuickConnect-SS* fitting (F), and pull the excess cable through the fitting. The fitting will lock automatically when you release the *cable*.
8. If necessary, tighten the *cables* a bit more by turning the *Snug-Grip™ washer nuts* (I) with a 7/16" wrench. **IMPORTANT NOTE:** When initially attaching the *Snug-Grip™ washer nuts* to the *threaded terminals*, you will encounter resistance as the special *Snug Grip™* threads engage; hold the hexagonal shaft of the *threaded terminal* with a Vise-Grip® pliers to keep it from spinning. Tighten with hand tools to avoid heating the *Snug-Grip™ washer nut* and causing it to seize. Do not over-tension the *cables*; they should simply hang straight and flex easily.
9. Cut the excess *cable* (E) from behind the *QuickConnect-SS* fitting (F).
10. Snap *black plastic caps* (K) over the *QuickConnect-SS* fittings (F) and over the raised lip of the *Snug-Grip™ washer nuts* (I).

Hanging The Rods:

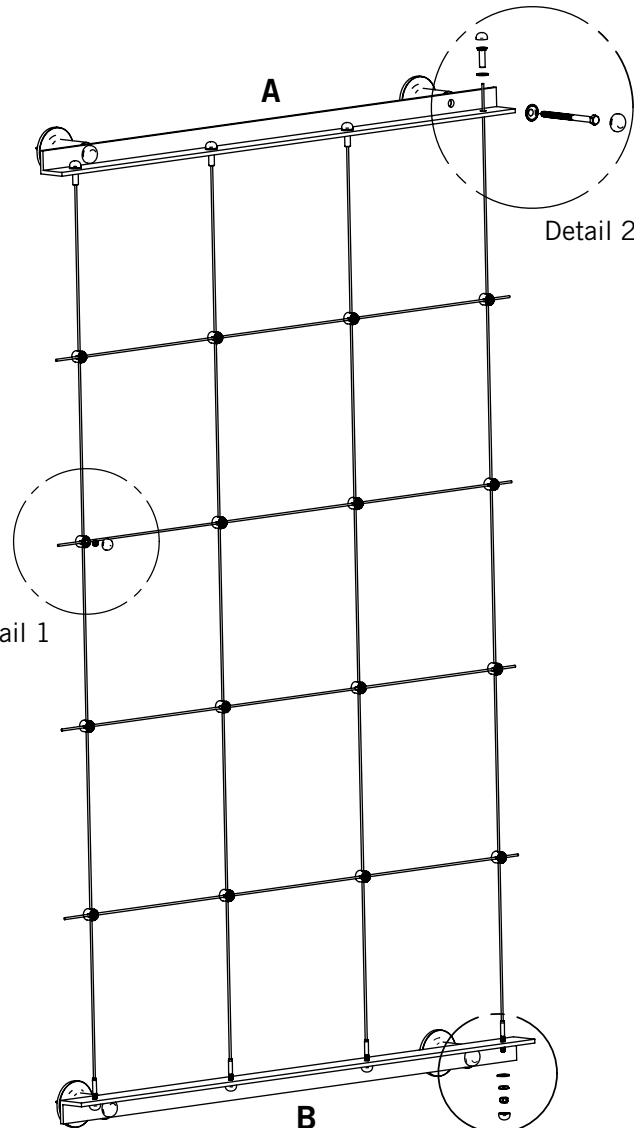
11. With a measuring tape and felt pen, mark each *cable* (E) at the points where you'd like to attach the *rods* (L). Equal vertical spacing between *rods* is recommended.
12. Loosely attach each *rod* (L) to each *cable* (E) at the marked locations using *cross-clamps* (M) and a 3/16" hex key wrench (included in kit); be sure that all *rods* are also centered horizontally. Note: the *cable* should always rest in the deep slot on the *cross-clamp* and the *rod* in the shallow slot; this will allow the *cross-clamp set screw* to press against the *rod* instead of the *cable*. Also, the *cross-clamps* may be attached with the *set screw* facing either away from the wall or toward the wall, whichever you prefer.
13. Make any final adjustment to the *rod* (L) positions, and then securely tighten all *cross-clamps* (M).
14. Cover the *cross-clamp* (M) set screws with *black plastic caps* (K) or optional *stainless steel caps* (sold separately).
15. All done! Stand back and admire your work.

Somerset™ Trellis

Installation Details



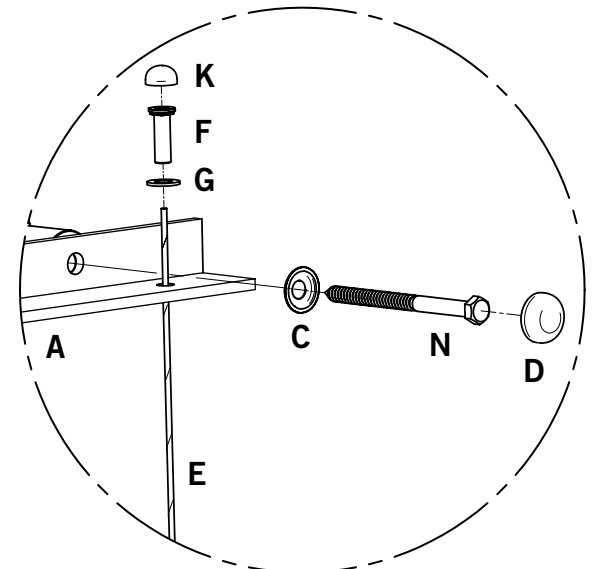
Detail 1



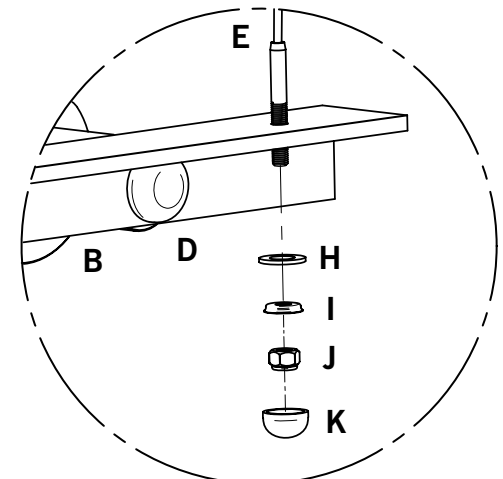
Detail 1

Detail 2

Detail 3



Detail 2



Detail 3